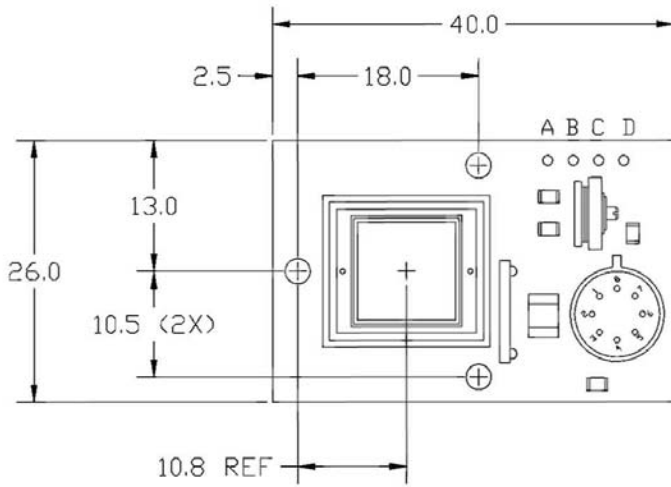
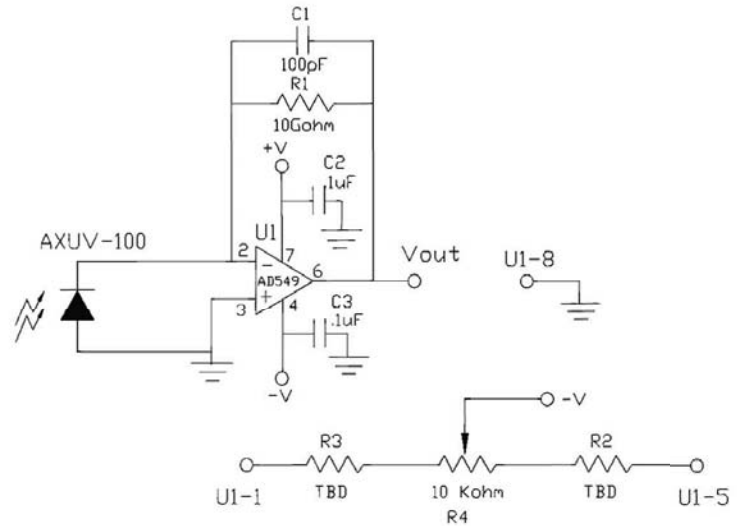
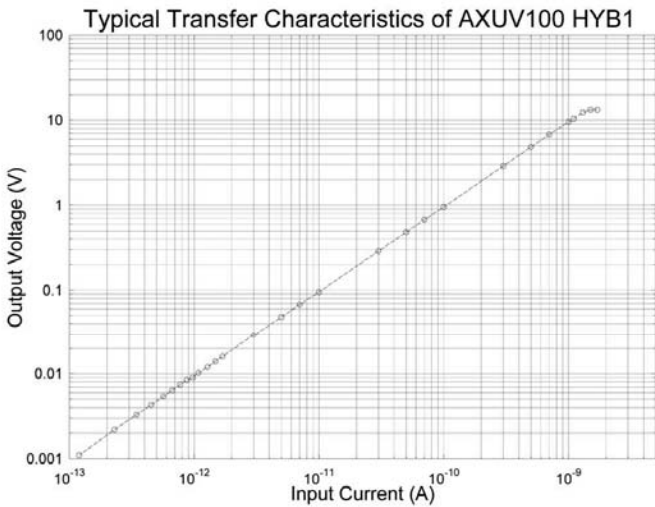
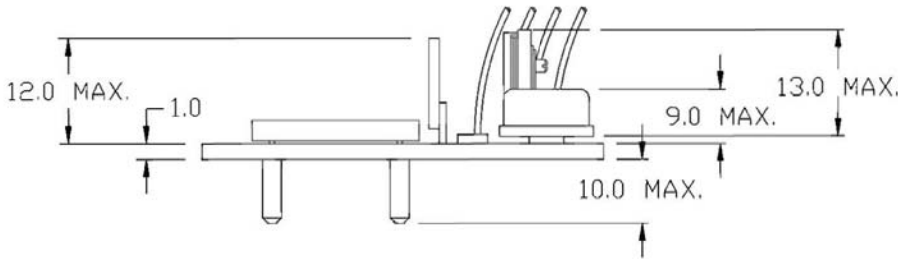


AXUV100HYB1



LEAD CONFIGURATION

- A GND (GREEN)
- B V- -10 to -15 volts (BLACK)
- C V+ +10 to +15 volts (RED)
- D V_{OUT} (WHITE)



ELECTRICAL SPECIFICATION (25 °C)

TRANSFER FUNCTION	10 V/nA, +/- 1%
BANDWIDTH	.16 Hz
OUTPUT OFFSET VOLTAGE	1 mV
OUTPUT NOISE VOLTAGE	19.2 μ V/ \sqrt Hz