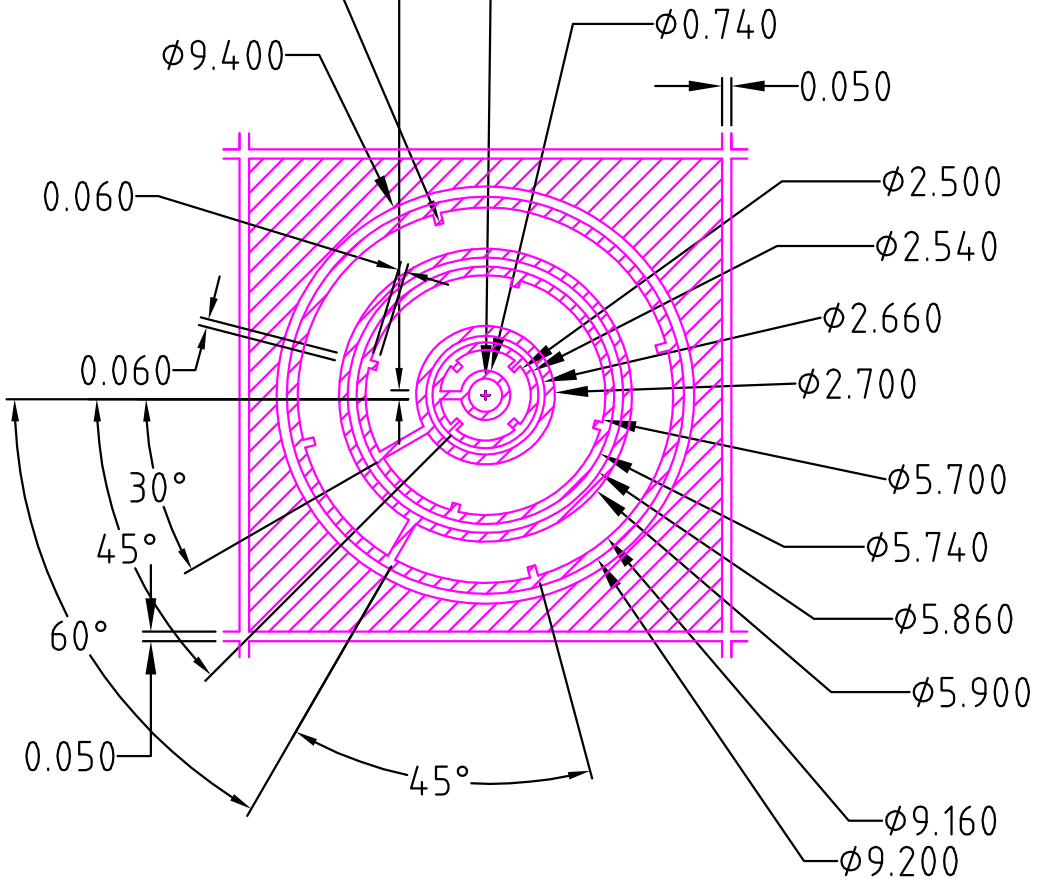


REVISIONS				
ZONE	REV	DESCRIPTION	DATE	APPROVED

(4x) 60µm x 60µm pads per outer ring, equally spaced, total 12 pads

0.020 mm wide aluminum lines to electrically connect inner and outer ring, 3 places

∅0.700 (central hole in chip)



Indicates 1 µm aluminum

Chip Size (c-c distance)
10.700 mm x 10.700 mm
50 µm open scribelines

UNLESS OTHERWISE SPECIFIED: DIMENSIONS ARE IN MM TOLERANCES DECIMALS ANGULAR .XX +/- .05 +/- 0.5 .XXX +/- .010 +/- 0.005 DO NOT SCALE DRAWING		AXUV63-3CR CHIP		
DRAWN J. SPRUNCK		DATE 7/31/08		
CHECKED		IRD International Radiation Detectors		
DESIGN	SCALE	SIZE B	FSCM NO.	DWG NO.
		REV		
		SHEET 5 OF 8		

International Radiation Detector, Inc.
Proprietary information.